



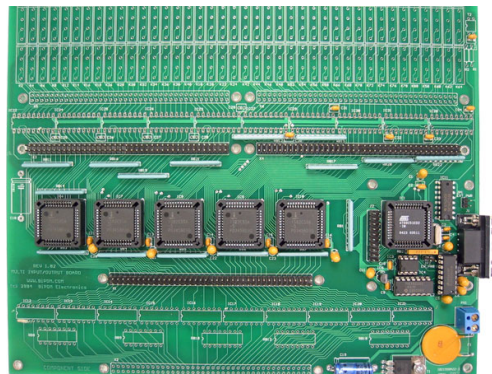
## MULTI-IO/51 Single Board Computer & Input/Output Expander.

MULTI-IO/51 is a microcontroller system with a large number of digital inputs and output. MULTI-IO/51 is based on the ATMEL AT89C51ED2 8051-compatible single-chip Flash micro-controller. The Flash microcontroller can be serially programmed while in the target application circuit. This function of the FLASH micro-controller simplifies new program development and debugging. Downloading of a program to the micro-controller typically takes few seconds.

### Specifications

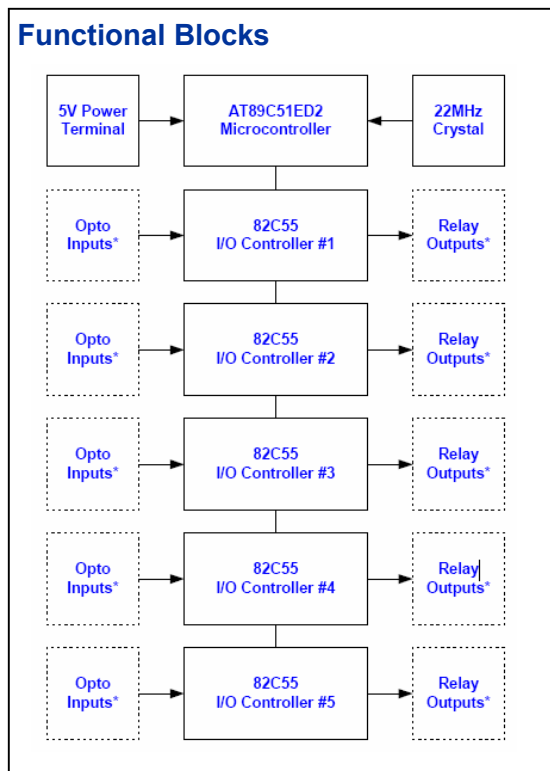
MULTI-IO/51-A board has the following configuration:

- ATMEL AT89C51ED2 micro-controller with
  - 64 Kbytes on-chip Flash program/data Memory,
  - 2 Kbytes RAM (XRAM)
  - 2 Kbytes EEPROM
- Five 82C55 Input/Output Expanders with three 8-bit ports ( Ports A,B,C ) each
- 8-pin socket to install serial EEPROM
- Secondary micro-controller (PIC16) to support In-circuit Programming of the main
- Flash micro-controller and debugging through the RS232 Serial Port
- RS232 Serial Port connector for In-circuit Programming and for data communications
- 20-pin Expansion connector for a variety of peripheral boards (<http://www.bipom.com/periph1.htm>)
- Three 80-pin I/O connectors for digital inputs and outputs
- Single operating voltage: Regulated 5 Volts DC
- Dimensions are 9.46 X 7.96 inches (24.03 X 20.22 centimeters).
- Mounting holes of 0.138 inches (3.5 millimeters) are on four corners and the middle.
- 0° - 70° C operating, -40° - +85° C storage temperature range.



**MULTI-IO/51-A is a semi-custom board that supports various options such as any combination of:**

- Digital Inputs/Outputs
- Open-collector outputs
- Optoisolated inputs
- Reed Relay contacts
- Please contact the factory for more details.



**All trademark names and logos are the property of their respective owners.**

More details and Technical Manual are available for download at <http://www.bipom.com/products/us/318693.html>