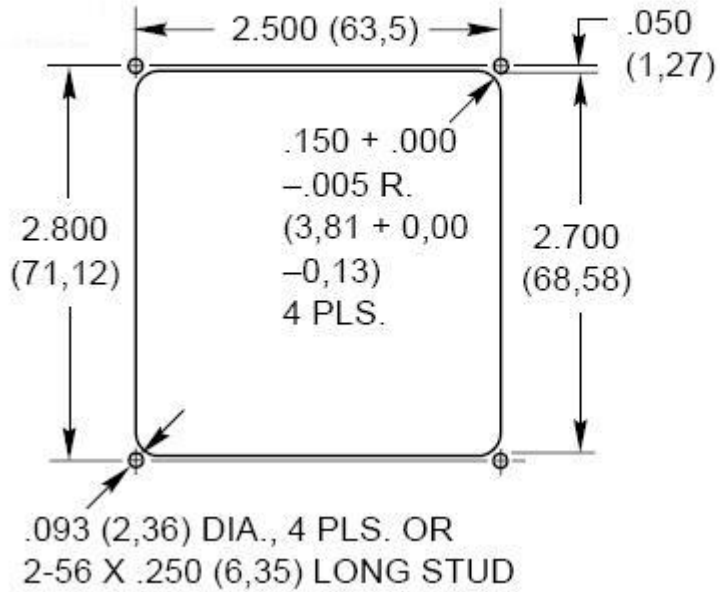


Rear Panel Mount Cutout

Maximum recommended panel thickness is 0.062" (1.57 mm)



Side View

