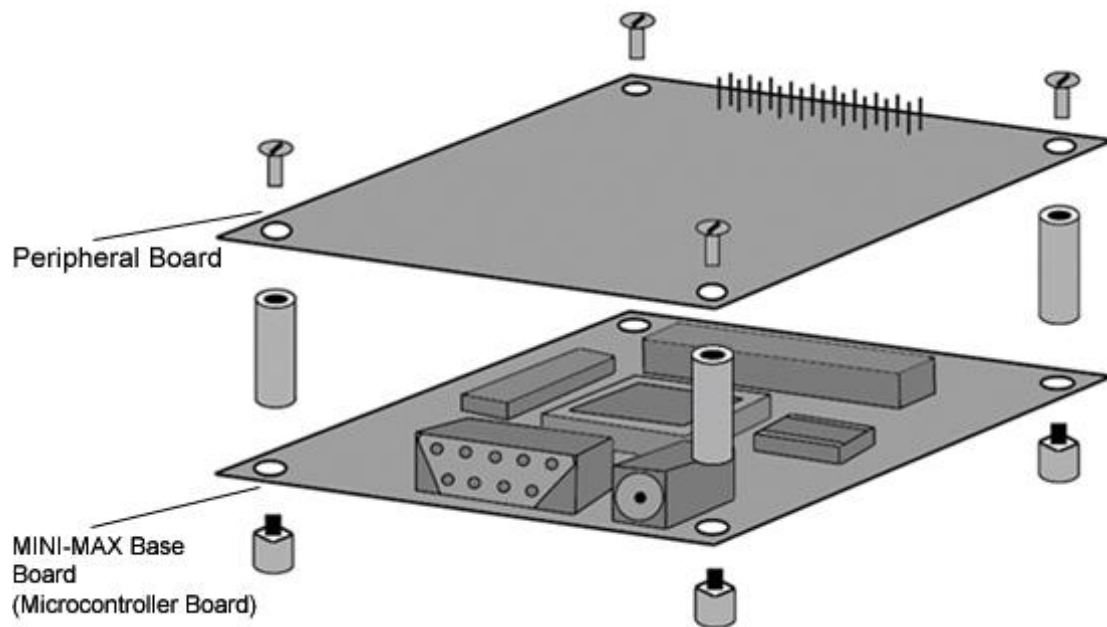


MINI-MAX Stand-Off Kit-1

MINI-MAX series of micro-controller boards except a wide range of peripheral boards that can be plugged to the micro-controller board. Use the MINI-MAX Standoff Kit from BiPOM Electronics to construct a stable assembly of stacked circuits boards as shown in the diagram below. The stand-Off kit consists of 12 pieces of plastic screws and spacers.

Hand tighten the plastic spacers. Use a small flathead screwdriver when tightening the plastic screws. Do NOT apply excess torque as this may break or damage the threads of the plastic screws.

Please contact BiPOM Electronics for custom configurations.



Plastic Screw (4 Pieces)



Plastic Spacer (4 Pieces)



Plastic Male / Female Spacer (4 Pieces)