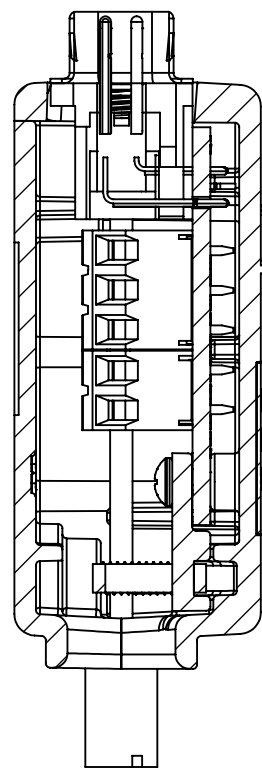
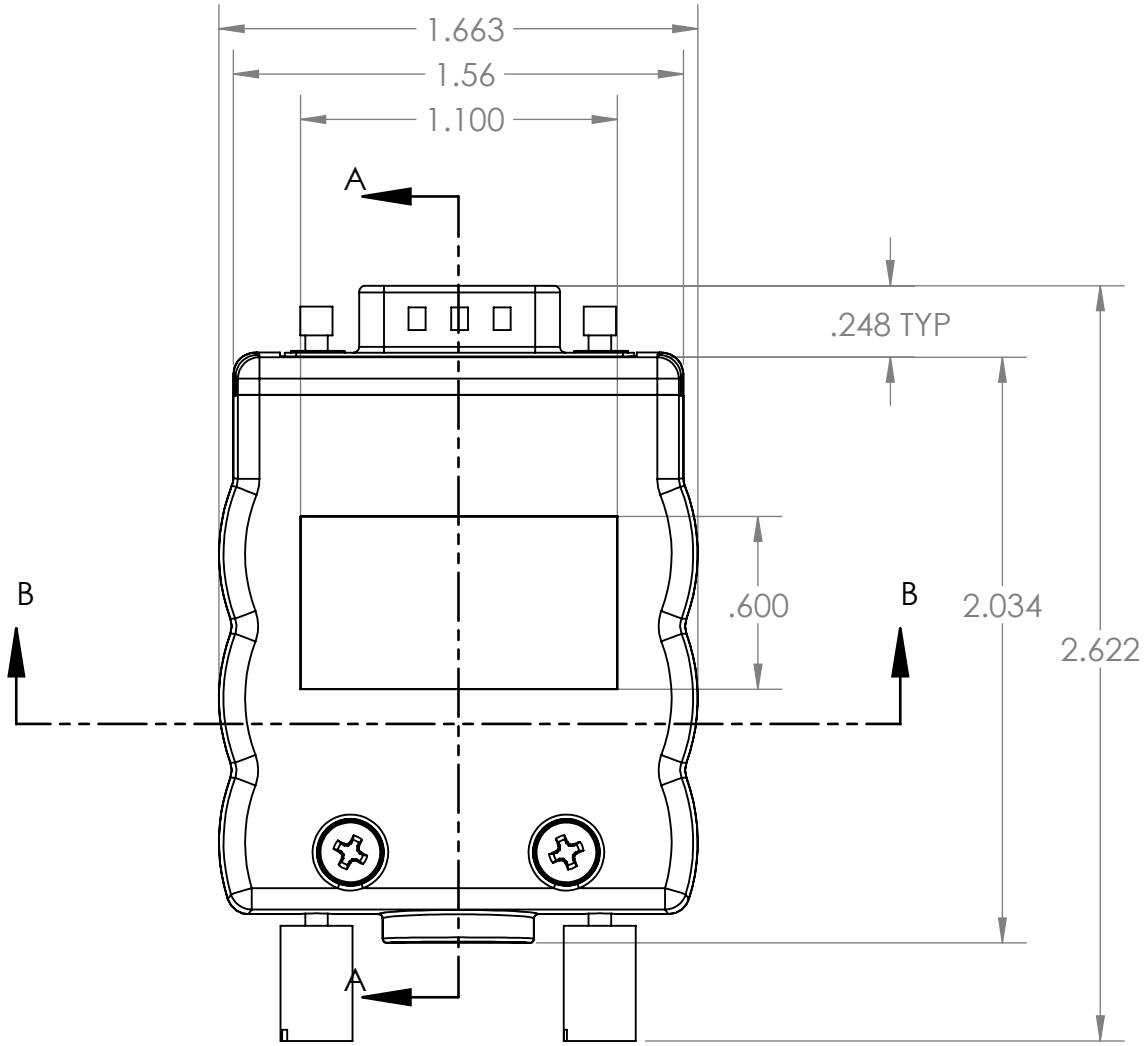


4

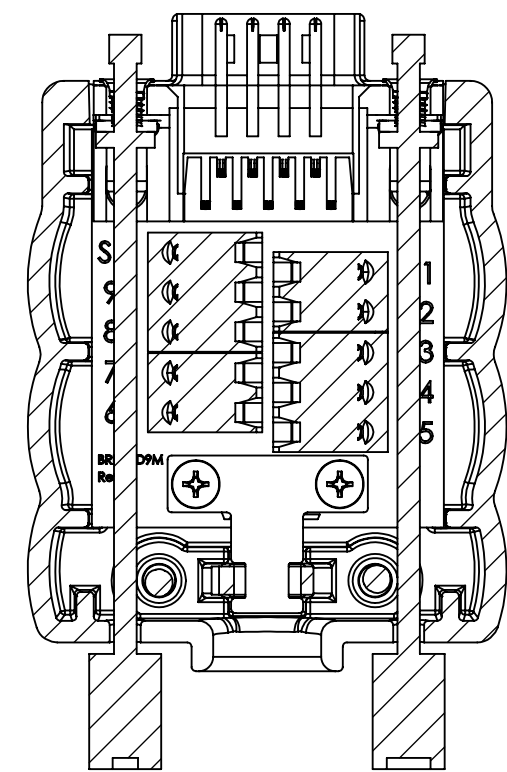
3

2

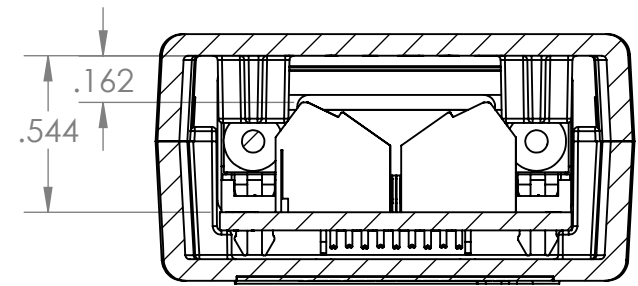
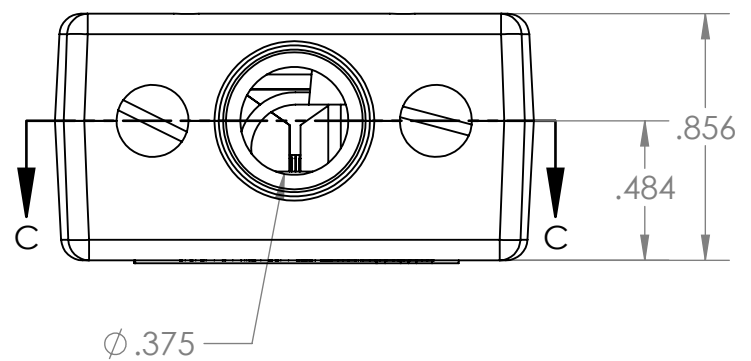
1



SECTION A-A



SECTION C-C




SECTION B-B

B

B

A

A

DIM: INCH	DATE: 10/09/2018	RoHS COMPLIANT: YES	DESCRIPTION: DB9 MALE BREAKOUT BOARD W/ ENCLOSURE
		WINFORD ENGINEERING, LLC 4561 GARFIELD ROAD AUBURN, MI 48611	PART NUMBER (S) BRKEAD9M-T
www.winford.com		989-671-9721	PART REVISION A

4

3

2

1