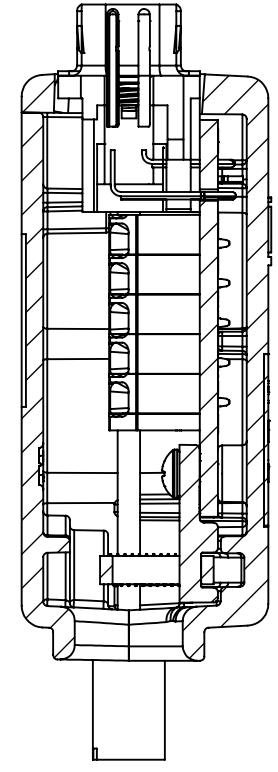
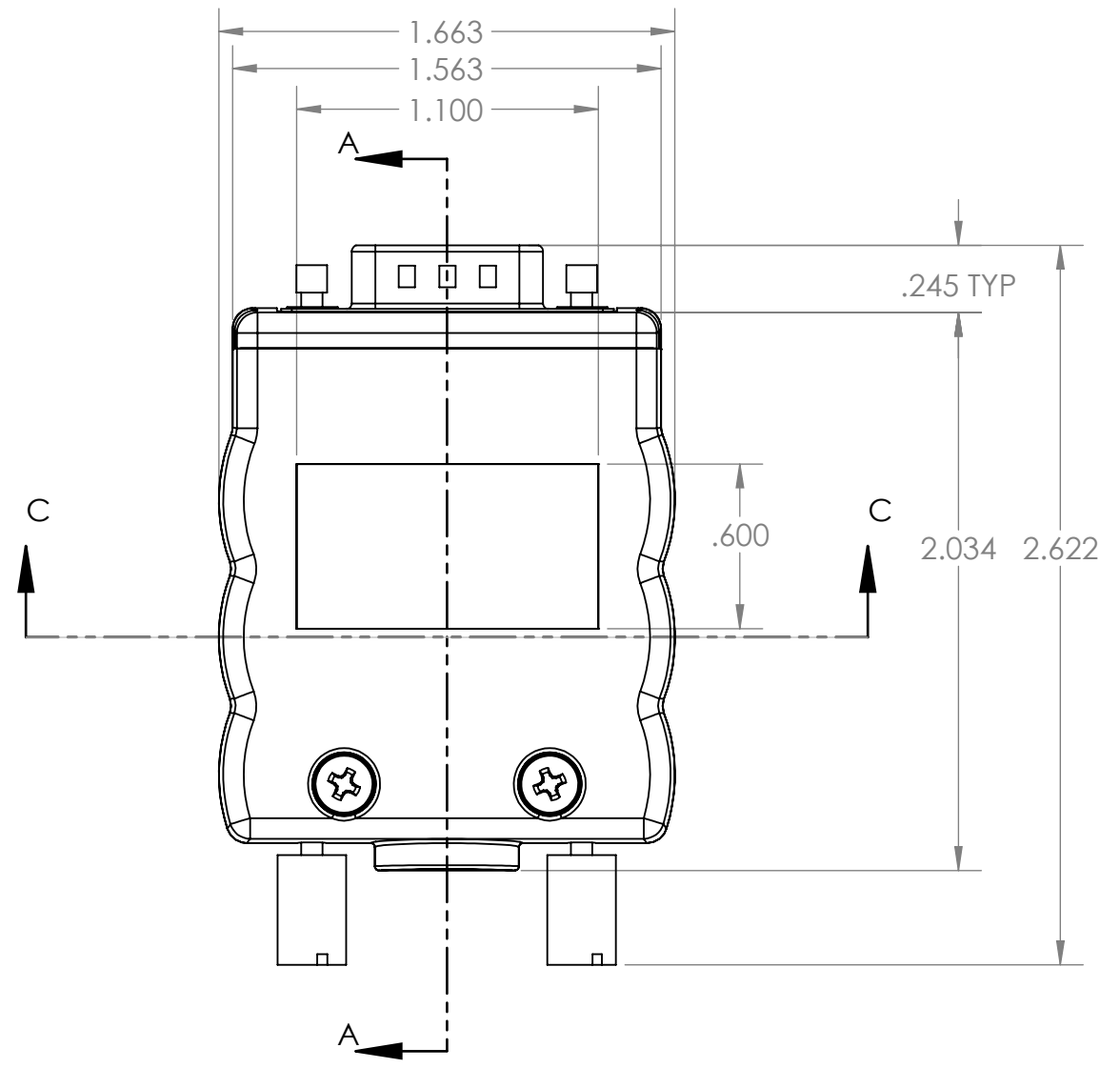


4

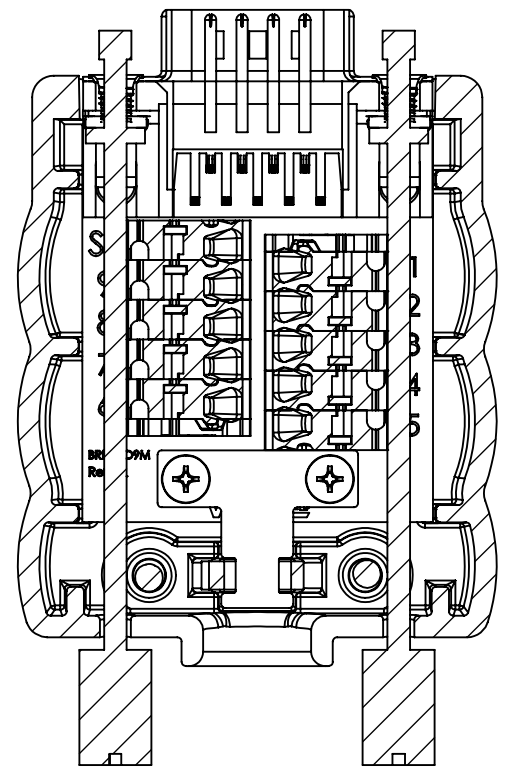
3

2

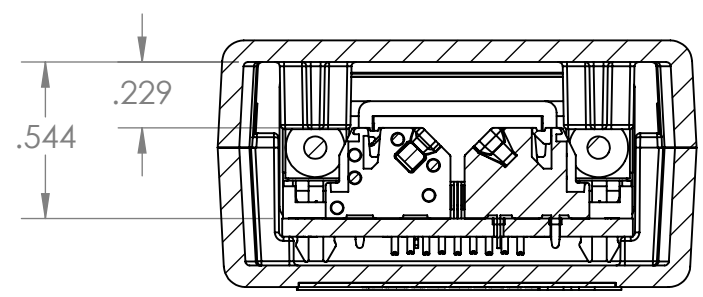
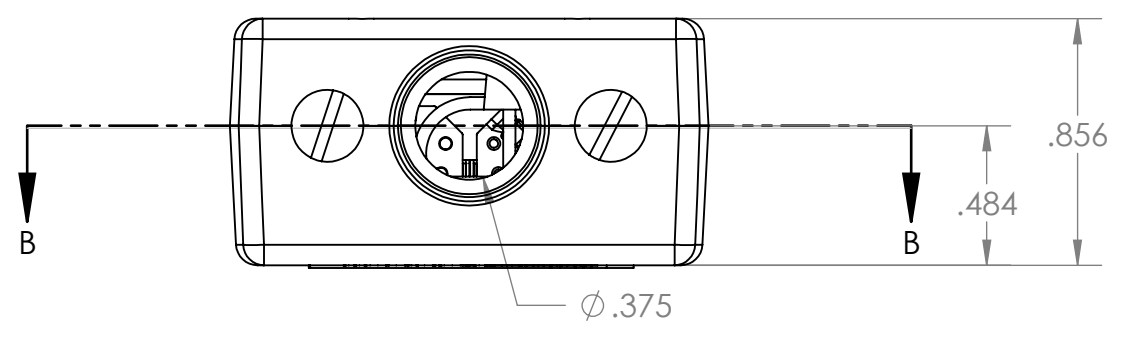
1




SECTION A-A



SECTION B-B



SECTION C-C

DIM: INCH	DATE: 10/15/2018	RoHS COMPLIANT: YES	DESCRIPTION: DB9 Male Breakout Board w/ Enclosure	
		WINFORD ENGINEERING, LLC 4561 GARFIELD ROAD AUBURN, MI 48611	PART NUMBER (S) BRKEGD9M-T	PART REVISION A
www.winford.com		989-671-9721		

4

3

2

1

B

B

A

A