

Rigid Metal Conduit Hubs

PRSTG PVC Coated Hubs

For connections using PVC coated conduit, Plasti-bond Red hubs are available in ten standard sizes of 1/2" through 4"

Plasti-Bond Red Hubs

CATALOG NUMBER	SIZE
PRSTG1	1/2"
PRSTG2	3/4"
PRSTG3	1"
PRSTG4	1 1/4"
PRSTG5	1 1/2"
PRSTG6	2"
PRSTG7	2 1/2"
PRSTG8	3"
PRSTG9	3 1/2"
PRSTG10	4"



Aluminum & PVC Conduit Hubs

M Aluminum Hubs

Metallic conduit connections can be made with the use of an aluminum hub available in seven standard sizes from 1/2" through 3".

Aluminum Hubs

CATALOG NUMBER	INSIDE DIAMETER	HOLE6 DIAMETER
M50	1/2"	7/8"
M75	3/4"	1 1/16"
M100	1"	1 1/4"
M125	1 1/4"	1 11/16"
M150	1 1/2"	1 7/8"
M200	2"	2 3/8"
M300	3"	3 7/16"



H PVC Hubs

Non-metallic conduit connections can be made with the use of a PVC hub available in six standard sizes from 1/2" through 2".

PVC Hubs

CATALOG NUMBER	INSIDE DIAMETER	HOLE6 DIAMETER
H50	1/2"	7/8"
H75	3/4"	1 1/16"
H100	1"	1 1/4"
H125	1 1/4"	1 11/16"
H150	1 1/2"	2"
H200	2"	2 7/16"



Vapor Capsule
VC2-1



Radius of Protection: 2 ft.
Normal Life Span: 1 yr.

Vapor Capsule

VC2-1 Vapor Capsule

Stahlin Vapor Capsules contain a unique vapor phase inhibitor designed to protect metallic surfaces within an enclosure against airborne corrosion. By simply placing these self-contained capsules inside an enclosure the vapors readily permeate every point, passivating all metallic surfaces. When the capsule is removed from its sealed package, it begins to emit an invisible, non-toxic vapor which is diffused throughout the the surrounding atmosphere until the air is saturated. The vapor then passivates the metal surfaces against atmospheric corrosion by reducing the electro-chemical activity of the metal surfaces.



Plastic Print Pocket
PRTPKT

Plastic Print Pocket

PRTPKT Plastic Print Pocket

Stahlin's Print Pocket is self adhesive and can be utilized to store prints or other important documents within the enclosure.

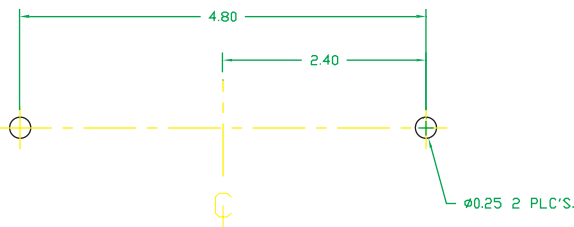
PART No.	HEIGHT	WIDTH	DEPTH
PRTPKT	9.29"	10.39"	1.18"



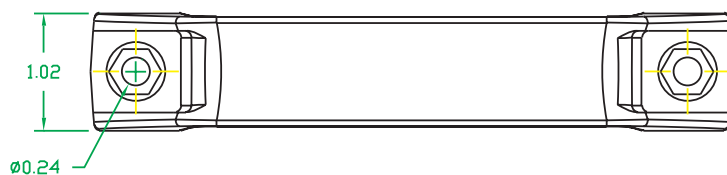
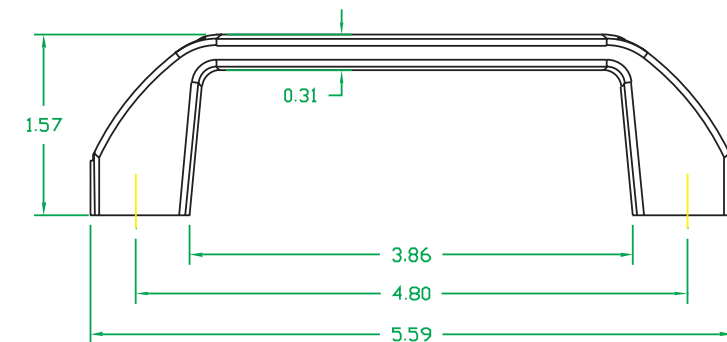
Carrying Handle
RMEMK109506

Carrying Handle

RMEMK109506 Carrying Handle



CUT-OUT DETAIL



General Accessories

Cord Grips Hubs

CES Sigma Feedthrough

Easy to install sigma form feedthrough seals provide a watertight, fumetight seal at cable or cord entrances to the enclosure. The nose portion of the seal is designed to be heat-shrunk around the cable, producing a watertight, gas and corrosion resistant seal. Heat gun must be capable of producing 250-275 degrees.

Meets or exceeds MIL-1-81765/1A

American Bureau of Shipping 92-QE-10218-X

For -55° to 90° C Rating



Sigma Form Feedthrough Seals

CATALOG NUMBER	OVERALL NOMINAL LENGTH	EXPANDED I.D. NOSE	MAXIMUM RECOVERED I.D.	NUT I.D.	DRILL SIZE
CES-1	2.750	0.500	0.120	0.750	1.000
CES-2	2.750	0.750	0.250	0.750	1.000
CES-3	3.750	1.200	0.500	1.100	1.380
CES-4	4.500	1.700	0.750	1.600	2.000
CES-5	6.500	2.700	1.450	2.500	3.375

Fiberglass Pedestals

Fiberglass pedestals are manufactured from the same fiberglass reinforced polyester material that makes up all Stahlin enclosures. An access plate on the pedestal bottom offers the ability to use the internal pedestal as a wireway to the elevated enclosure. Two configurations are available including a sloping mounting surface for smaller "J" style enclosures, and a flat surface for large "N" series products. These pedestals are excellent for wet, corrosive areas in manufacturing facilities or marine environments.



Fiberglass Pedestals

CATALOG NUMBER	HEIGHT	FLOOR PLATE DIMENSION	ENCLOSURE PLATE DIMENSION
JP3336	36"	7" X 7"	5" X 5"
NP4436	36"	8" X 8"	8" X 8"

General Accessories

5000 Nylon Cord Grip

Nylon cord grips are durable and easy to install. The body and sealing nut are manufactured with a tough, impact resistant nylon. Together the nut and washer form a positive sealing grip when installed through an enclosure wall. The oil resistant neoprene grommet and nylon washer fit tightly around an entrance cord, sealing out moisture, dust and foreign materials.

NEMA STD FBI-1983

UL STD 514 File No. 53599 Type 4, 4X

CSA STD 22.2 No. 18 File No. 28985 Type 4, 4X

HAZ LOC NEC 501-4(b), 502-4(a)(2), 503-3(a)

Class I, Div 2, Class II Div 1 and 2; Class III Div 1 and 2



Nylon Cord Grip			
CATALOG NUMBER	HUB DIAMETER	CABLE DIAMETER RANGE	INSIDE BODY DIAMETER
5121	1/2"	.187-.250	.625
5122	1/2"	.250-.312	.625
5123	1/2"	.312-.375	.625
5124	1/2"	.375-.437	.625
5125	1/2"	.437-.500	.625
5126*	1/2"	.500-.562	.625
5127*	1/2"	.562-.625	.625
5141	3/4"	.187-.250	.788
5142	3/4"	.250-.375	.788
5143	3/4"	.375-.437	.788
5144	3/4"	.437-.500	.788
5145	3/4"	.500-.562	.788
5146	3/4"	.562-.625	.788
5147	3/4"	.625-.687	.788
5148	3/4"	.687-.750	.788

*Cable jacket may have to be stripped for clearance

Nominal O.D.				
SIZE	TYPE	2 COND	3 COND	4 COND
18	SV-SVT	.24	.25	.26
	SJ-SJO	.31	.34	.36
	S-SO	.39	.41	.44
	SJTO	.30	.33	.36
	STO	.38	.39	.42
16	SJ-SJO	.33	.36	.39
	S-SO	.41	.43	.49
	SJTO	.32	.35	.39
	STO	.39	.42	.47
14	SJO	.43	.47	
	S-SO	.53	.56	.61
	STO	.52	.55	.59
	BDC			.40
12	S-SO	.61	.64	.67
	STO	.59	.63	.67
	BDC			.45
10	S-SO	.64	.69	.75
	STO	.64	.68	.74
	BDC			.50
8	S-SO	.79	.90	.97
	STO	.81	.85	.96
	BDC			.68
6	S-SO	.91	.99	1.07
	STO	.95	1.00	
	BDC			.80
4	S-SO	1.09	1.15	1.29
	STO	1.10	1.15	1.30
	BDC			.94
2	STO	1.29	1.34	
	BDC			1.08

Dimensional data is taken from various cable manufacturers. It is not guaranteed but usable for general purposes.

Enclosure Specific Accessories - Classic Series Back Panels

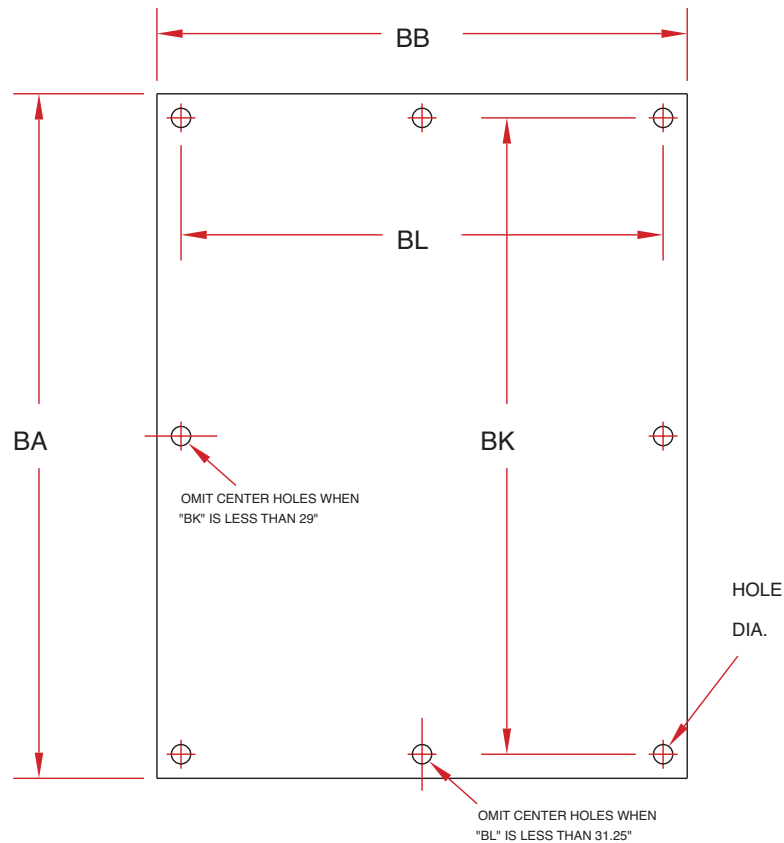
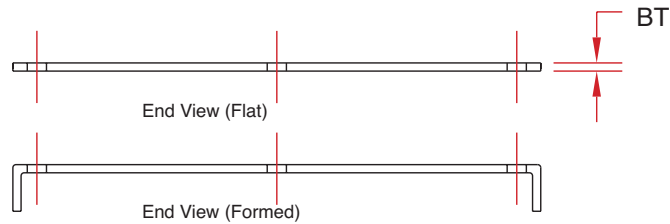
Accessories – Enclosure Specific

Aluminum (AL)
Back Panels
Grade Aluminum
3003 H14 - No Finish

Stainless Steel (SS)
Back Panels
Stainless Steel
Grade 304

Fiberglass (FG)
Back Panels
All FG Back Panels
UL 94 V-0 Rated

Carbon Steel (CS)
Back Panels
Carbon Steel
Grade 1010 HRS - Painted White Enamel



Enclosure Specific Accessories - DS, F, CL, J, RJ, JCC & Control Series Back Panels

Typical Series Designators: DS, F, CL, J, RJ, JCC Back Panel Dimensions

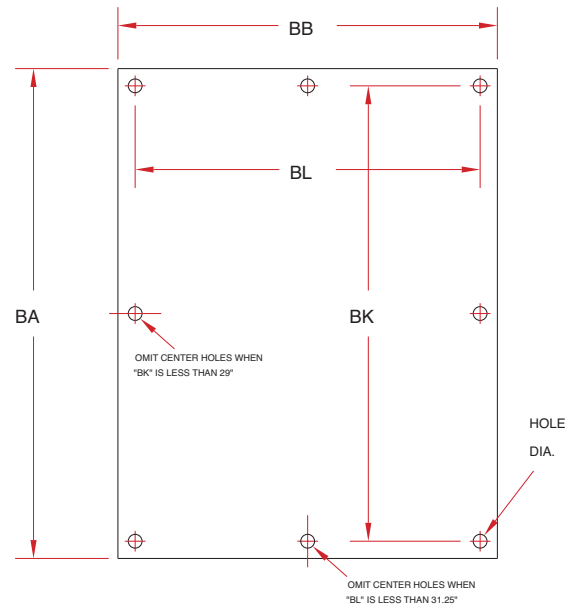
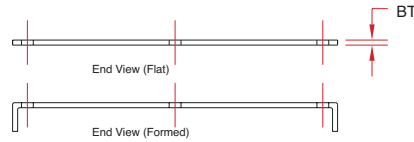
Typical Series Designators: DS, F, CL, J, RJ Back Panel Dimensions															
PART NUMBER	BA	BB	BK	BL	BT (AL)	BT (FG)	BT (SS)	BT (CS)	PANEL TYPE	HOLE DIA.	# OF HOLES	Weight (Aluminum) Suffix: AL	Weight (Fiberglass) Suffix: FG	Weight (Stainless) Suffix: SS	Weight (Carbon Steel) Suffix: CS
BP64	4.88 (124)	2.88 (73)	4.25 (108)	2.25 (57)	.080 (2)	.125 (3)	.060 (2)	.075 (2)	Flat	.25 (6)	4	2 oz.	2 oz.	5 oz.	5 oz.
BP66	4.88 (124)	4.88 (124)	4.25 (108)	4.25 (108)	.080 (2)	.125 (3)	.060 (2)	.075 (2)	Flat	.25 (6)	4	3 oz.	3 oz.	8 oz.	8 oz.
BP76	6 (152)	4.88 (124)	5.38 (137)	4.25 (108)	.080 (2)	.125 (3)	.060 (2)	.075 (2)	Flat	.25 (6)	4	4 oz.	n/a	n/a	10 oz.
BP86	6.88 (175)	4.88 (124)	6.25 (159)	4.25 (108)	.080 (2)	.125 (3)	.060 (2)	.075 (2)	Flat	.25 (6)	4	4 oz.	4 oz.	12 oz.	12 oz.
BP88	6.88 (175)	6.88 (175)	6.25 (159)	6.25 (159)	.080 (2)	.125 (3)	.060 (2)	.075 (2)	Flat	.25 (6)	4	5 oz.	5 oz.	15 oz.	15 oz.
BP96	8.25 (210)	4.88 (124)	7.63 (194)	4.25 (108)	.080 (2)	.125 (3)	.060 (2)	.075 (2)	Flat	.25 (6)	4	5 oz.	n/a	n/a	14 oz.
BP108	8.88 (225)	6.88 (175)	8.25 (210)	6.25 (159)	.080 (2)	.125 (3)	.060 (2)	.075 (2)	Flat	.25 (6)	4	8 oz.	8 oz.	19 oz.	21oz.
BP1210	10.88 (276)	8.88 (225)	10.25 (260)	8.25 (210)	.080 (2)	.125 (3)	.060 (2)	.075 (2)	Flat	.25 (6)	4	12 oz.	14 oz.	30 oz.	33 oz.
BP1212	10.88 (276)	10.88 (276)	10.25 (260)	10.25 (260)	.080 (2)	.125 (3)	.060 (2)	.075 (2)	Flat	.25 (6)	4	16 oz.	18 oz.	37 oz.	38 oz.
BP1407	12.88 (327)	5.88 (149)	12.25 (311)	5.25 (133)	.080 (2)	.125 (3)	.060 (2)	.075 (2)	Flat	.25 (6)	4	14 oz.	14 oz.	32 oz.	34 oz.\
BP1412	12.88 (327)	10.88 (276)	12.25 (311)	10.25 (260)	.080 (2)	.125 (3)	.060 (2)	.075 (2)	Flat	.25 (6)	4	18 oz.	20 oz.	45 oz.	48 oz.
BP1614	14.88 (378)	12.88 (327)	14.25 (362)	12.25 (311)	.080 (2)	.125 (3)	.060 (2)	.075 (2)	Flat	.25 (6)	4	24 oz.	23 oz.	60 oz.	66 oz.
BP1816	16.88 (429)	14.88 (378)	16.25 (413)	14.250 (362)	.080 (2)	.125 (3)	.060 (2)	.075 (2)	Flat	.25 (6)	4	31 oz.	32 oz.	88 oz.	87 oz.
BPJ2016	18.88 (479)	14.88 (378)	18.25 (463)	14.250 (362)	.080 (2)	.125 (3)	.060 (2)	.075 (2)	Flat	.25 (6)	4	36 oz.	34 oz.	98 oz.	97 oz.

Control Disconnect Series

Typical Series Designators: C										AL	FG	SS	CS	
(Carbon Steel: CS available only)	BA	BB	BK	BL	Panel Thickness BT	Panel Type	Hole Dia.	# of Holes	Weight (Aluminum) (suffix: AL)	Weight (Fiberglass) (suffix: FG)	Weight (Stainless) (suffix: SS)	Weight (Steel) (suffix: CS)	Fits Typical Enclosure Size	
BP1610CD	13.00 (330)	8.50 (216)	12.00 (305)	7.50 (191)	0.08 (2)	Flat	0.31 (8)	4	n/a	n/a	n/a	3.3 lbs.	16 x 10 Disconnect enclosure	
BP2016CD	16.88 (429)	13.38 (340)	15.25 (387)	11.25 (286)	0.13 (2)	Formed	0.31 (8)	4	n/a	n/a	n/a	7.3 lbs.	20 x 16 Disconnect enclosure	
BP2412CD	20.88 (530)	9.38 (238)	19.25 (489)	7.25 (184)	0.13 (2)	Formed	0.50 (13)	4	n/a	n/a	n/a	6.5 lbs.	24 x 12 Disconnect enclosure	
BP2424CD	20.88 (530)	21.38 (543)	19.25 (489)	19.25 (489)	0.13 (2)	Formed	0.50 (13)	4	n/a	n/a	n/a	14 lbs.	24 x 24 Disconnect enclosure	
BP3024CD	26.88 (683)	21.38 (543)	25.25 (641)	19.25 (489)	0.13 (2)	Formed	0.50 (13)	4	n/a	n/a	n/a	19 lbs.	30 x 24 Disconnect enclosure	
BP3630CD	32.88 (835)	27.38 (695)	31.25 (794)	25.25 (641)	0.13 (2)	Formed	0.50 (13)	5	n/a	n/a	n/a	not listed	36 x 30 Disconnect enclosure	

Enclosure Specific Accessories – Control Series Back Panels

**Back Panels
"N" Series**



N Series Back Panel Dimensions

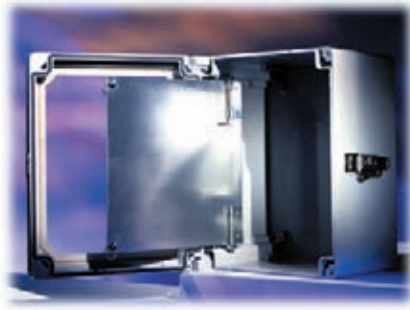
N Series Back Panel Dimensions

PART NUMBER	BA	BB	BK	BL	BT (AL)	BT (FG)	BT (SS)	BT (CS)	PANEL TYPE	HOLE DIA.	# OF HOLES	Weight (Aluminum) Suffix: AL	Weight (Fiberglass) Suffix: FG	Weight (Stainless) Suffix: SS	Weight (Carbon Steel) Suffix: CS
BP1610	13.00 (330)	8.50 (216)	12.00 (305)	7.50 (191)	.090 (2)	0.250 (6)	.060 (2)	.105 (3)	Flat	0.31 (8)	4	1 lb	1 lb	1.5 lbs	3.3 lbs
BP2016	17.00 (432)	13.00 (330)	15.25 (387)	11.25 (286)	.090 (2)	0.250 (6)	.060 (2)	.105 (3)	Flat	.50 (13)	4	2 lbs	3.5 lbs	3.7 lbs	6.7 lbs
BP2020	17.00 (432)	17.00 (432)	15.25 (387)	15.25 (387)	.090 (2)	0.250 (6)	.060 (2)	.105 (3)	Flat	.50 (13)	4	3.5 lbs	3.8 lbs	4 lbs	5.7 lbs
BP2412	21.00 (533)	9.00 (229)	19.25 (489)	7.25 (184)	.090 (2)	0.250 (6)	.060 (2)	.105 (3)	Flat	.50 (13)	4	4.5 lbs	4.5 lbs	5 lbs	8.7 lbs
BP2420	21.00 (533)	17.00 (432)	19.25 (489)	15.25 (387)	.13 (3)	0.250 (6)	.060 (2)	.105 (3)	Flat	.50 (13)	4	5 lbs	5.5 lbs	6 lbs	10.8 lbs
BP2424	21.00 (533)	21.00 (533)	19.25 (489)	19.25 (489)	.13 (3)	0.250 (6)	.060 (2)	.105 (3)	Flat	.50 (13)	4	5.5 lbs	7 lbs	7.4 lbs	13.4 lbs
BP3020	27.00 (686)	17.00 (432)	25.25 (641)	15.25 (387)	.13 (3)	0.250 (6)	.060 (2)	.105 (3)	Flat	.50 (13)	4	5.8 lbs	7.4 lbs	7.7 lbs	14 lbs
BP3024	27.00 (686)	21.00 (533)	25.25 (641)	19.25 (489)	.13 (3)	0.250 (6)	.060 (2)	.105 (3)	Flat	.50 (13)	4	7 lbs	9.3 lbs	9.6 lbs	17 lbs
BP3630	33.00 (838)	27.00 (686)	31.25 (794)	25.25 (641)	.13 (3)	0.250 (6)	.060 (2)	.105 (3)	Flat	.50 (13)	4	11 lbs	13 lbs	15.2 lbs	27 lbs
BP3636	31.00 (787)	33.00 (838)	29.00 (737)	31.00 (787)	.13 (3)	0.250 (6)	.060 (2)	.105 (3)	Formed	.50 (13)	6	13 lbs	19 lbs	16 lbs	33 lbs
BP3648	31.00 (787)	22.00 (559)	29.00 (737)	20.00 (508)	.13 (3)	0.250 (6)	.060 (2)	.105 (3)	Flat	.50 (13)	8	22 lbs	20 lbs	21 lbs	41 lbs
BP4836	45.00 (1143)	33.00 (838)	43.25 (1099)	31.25 (794)	.13 (3)	0.250 (6)	.060 (2)	.105 (3)	Formed	.50 (13)	8	22 lbs	20 lbs	21 lbs	47 lbs
BP6036	57.00 (1448)	33.00 (838)	55.25 (1403)	31.25 (794)	.13 (3)	0.250 (6)	.105 (3)	.105 (3)	Formed	.50 (13)	8	23 lbs	25 lbs	24 lbs	60 lbs
BP7225	64.00 (1626)	21.00 (533)	62.00 (1575)	19.00 (483)	.13 (3)	0.250 (6)	.105 (3)	.105 (3)	Formed	.50 (13)	10	30 lbs	32 lbs	34 lbs	43 lbs
* BP7249	64.00 (1626)	22.00 (559)	62.00 (1575)	20.00 (508)	.13 (3)	0.250 (6)	.105 (3)	.105 (3)	Formed	.50 (13)	10	38 lbs	40 lbs	44.8 lbs	91 lbs
* BP7260	64.00 (1626)	27.50 (698)	62.00 (1575)	25.50 (648)	.13 (3)	0.250 (6)	.105 (3)	.105 (3)	Formed	.50 (13)	10	46 lbs	48 lbs	56 lbs	130 lbs

* Set of two panels.

Caution: Metric units are for reference; do not convert.

Enclosure Specific Accessories – Classic Series Dead Front Panels



The most common method for mounting devices in an enclosure is the use of a standard back panel. Demands of an application might require panels to be made of mild steel, aluminum, fiberglass or stainless steel. Electrical codes typically do not discuss a specific type of material for internal panels.

A dead front panel is designed to obscure the view of circuitry or devices while offering a cosmetically pleasing mounting surface. In a designer's view, the dead front panel can represent the cover of the enclosure that will now rest beneath a clear hinged door. This emphasizes the importance of full clear window fronts and fully clear covers.

This highly visible panel represents the function, utility and design cosmetics of an entire product. Strength and versatility of this assembly alone can determine the right choice for an enclosure.

Stahlin produces a top quality design, inclusive of spring-loaded releasable hinges that make component mounting and panel assembly a very simply task. When properly installed, the panel is securely fixed to the sidewall of the enclosure. This means that load-bearing weights are distributed throughout the assembly. The hinged suspended panel swings out of the way to provide full access to a panel or PC board mounting.

This concept makes the perfect facing for an expression of company colors and designs while providing a secure mounting for all functional components.



Dead Front Panels
Classic Series

Classic Series Dead Front Panels Factory Installed Modification Only

Typical Series Designators: CL / CLW - AL

(Aluminum: AL used on all DF's)	Panel Thickness BT	Panel Type	Weight (Aluminum) (suffix: AL)	Fits Typical Enclosure Size
DF707	0.08 (2)	Flat	3 oz.	7x 7
DF907	0.08 (2)	Flat	4 oz.	9x 7
DF907HS	0.08 (2)	Flat	4 oz.	9x 7
DF1109	0.08 (2)	Flat	8 oz.	11x 9
DF1109HS	0.08 (2)	Flat	8 oz.	11x 9
DF1311	0.08 (2)	Flat	12 oz.	13x 11
DF1311HS	0.08 (2)	Flat	12 oz.	13x 11
DF1513	0.08 (2)	Flat	18 oz.	15x 13
DF1513HS	0.08 (2)	Flat	18 oz.	15x 13

Enclosure Specific Accessories – Control Series & J Series Dead Front Panels



Dead Front Panels
"J" Series

"J" Series Dead Front Panels Factory Installed Modification Only

Typical Series Designators: J / JW / RJ / RJW

(Aluminum: AL used on all DF's)	BT	Panel Type	Weight (Aluminum) (suffix: AL)	Fits Typical Enclosure Size
1008DF	0.08 (2)	Flat	8 oz.	10 x 8
1210DF	0.08 (2)	Flat	12 oz.	12 x 10
1412DF	0.08 (2)	Flat	18 oz.	14 x 12
1614DF	0.08 (2)	Flat	24 oz.	16 x 14
1816DF	0.08 (2)	Flat	40 oz.	18 x 16
J2016DF	0.09 (2)	Flat	39 oz.	20 x 16

Control Enclosure Series Dead Front Panels Factory Installed Modification Only

Typical Series Designators: N

(Aluminum: AL used on all DF's)	BT	Panel Type	Weight (Aluminum) (suffix: AL)	Fits Typical Enclosure Size
2016DF	0.09 (2)	Flat	2.4 lbs.	20 x 16
2420DF	0.13 (3)	Flat	3.5 lbs.	24 x 20
2424DF	0.13 (3)	Flat	4.0 lbs.	24 x 24
3020DF	0.13 (3)	Flat	5.5 lbs.	30 x 20
3024DF	0.13 (3)	Flat	6.0 lbs.	30 x 24
3630DF	0.13 (3)	Flat	7.0 lbs.	36 x 30

Enclosure Specific Accessories - Field Replacement of Standard Latches



J Series - JLL150KIT



NLL150WTKIT



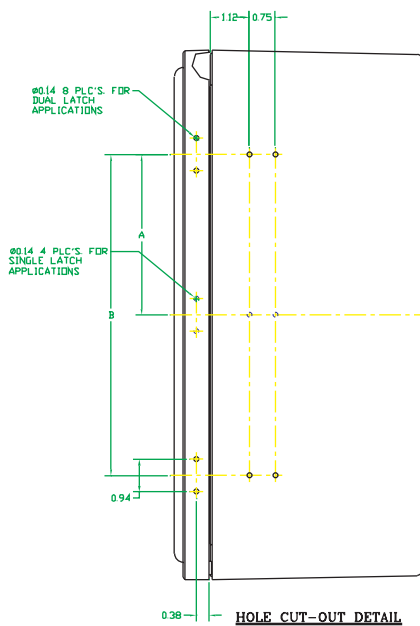
SSLKIT



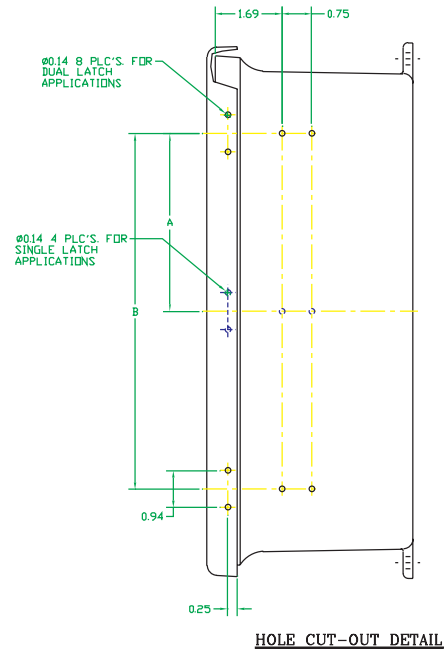
Control / N Series NLL150KIT

Field Replacement of Standard Latches

FIELD REPLACEMENT OF STANDARD LATCHES		USED ON STYLE ENCLOSURE	MAINTAINS DESCRIPTION	TYPE 4X RATING
J	RJ	JLL150KIT	J / RJ/CL Standard link lock latch used for "HLL" designations	yes
N		NLL150KIT	N Series Standard link lock latch used on "N" series Type 12, 3 and 4X	yes
N		NLL150WTKIT	N Series Standard link lock latch used on "N" series type 4X top & bottom	yes
J	RJ	SSLKIT	J / RJ/CL Standard padlock latch used for "HPL" designations	yes

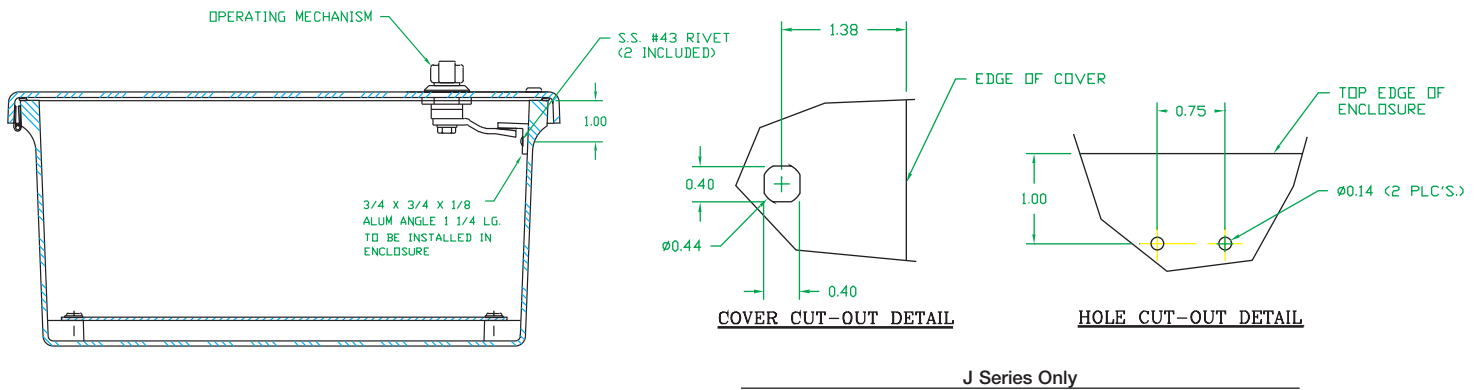


CL Series, SSLKIT, JLL150KIT



J Series SSLKIT, JLL150KIT

Enclosure Specific Accessories – Field Replacement or Modifications



Field Replacements or Modifications				
FIELD REPLACEMENT OR MODIFICATION		USED ON STYLE ENCLOSURE	DESCRIPTION	
J		WKJLATCH	J Series only	Operator mechanism for "J" series. Not for use with "RJ" series
N	C	WKNKIT	N /C Series	Operator mechanism for "N" and "C" series disconnects
J		DF010J	J Series only	Operator mechanism for "J" series. Not for use with "RJ" series
J		C2L	J Series only	Operator mechanism for "J" series.
N		HASPKITSS	N Series	Stainless steel alternate hasp pin for "N" series enclosures

Enclosure Specific Accessories – Factory Modifications Only



3PTKEYPADHANDLEKIT

Factory Installed Only ModRight Modifications				
FACTORY MODIFICATION ONLY			USED ON STYLE ENCLOSURE	DESCRIPTION
N		3PTPADHANDLEKIT	N Series	3 point padlockable door latch mechanism for "N" series
N		3PTKEYHANDLEKIT	N Series	3 point door latch mechanism for "N" series

Control Enclosure Rain Shield Catalog Numbers

A rain shield, an overhanging strip across the top of an enclosure designed to prevent incidental water ingress when a door is opened, is a typical feature of Type 3 construction and is an integral part of that configuration. There are occasions when a Type 12 or 4X enclosure is required but a rain shield is additionally desired. Stahlin offers a Rain Shield kit to be added to any enclosure where this extra protection is needed or required.

In addition to the shield, Stahlin provides an instruction sheet for its mounting. Kits are sized for the width dimension of an enclosure and are available for eight of the common sized Control Series products.



Control Enclosure Rain Shield Catalog Numbers

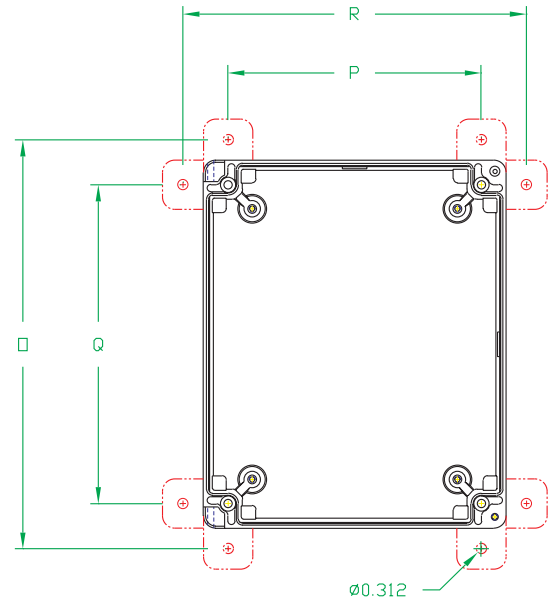
Catalog

[N2016RTKIT](#)
[N2412RTKIT](#)
[N2420RTKIT](#)
[N2424RTKIT](#)
[N3020RTKIT](#)
[N3024RTKIT](#)
[N3630RTKIT](#)
[N4836RTKIT](#)

Classic Series Mounting Feet



Mounting Feet
CLMTGFTKIT

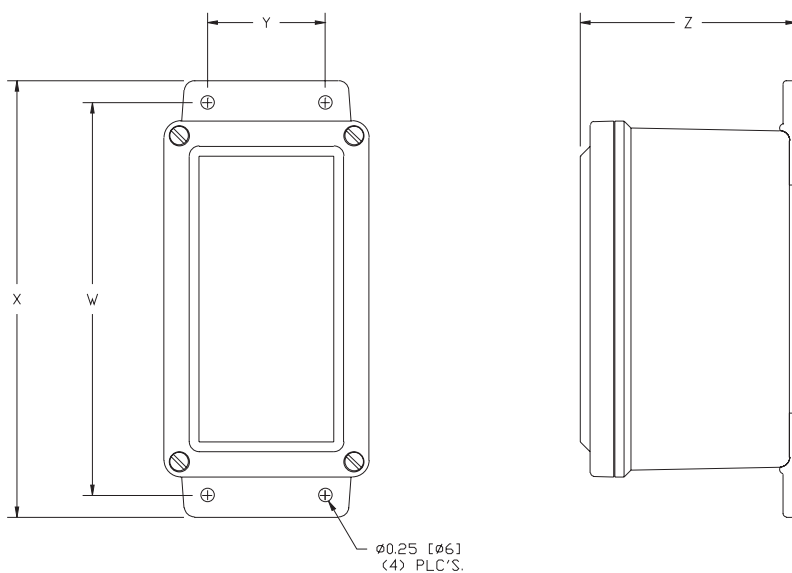


Classic Series Mounting Feet

Classic Series Mounting Feet Dimensions

SIZE	O	P	Q	R
707	8.46	5.71	5.71	8.46
907	10.46	5.71	7.71	8.46
1109	12.46	7.71	9.71	10.46
1311	14.46	9.71	11.71	12.46
1513	16.46	11.71	13.71	14.46

CF Series Mounting Feet



*Flat Cover
+Factory Installed Only

CF Series External Mounting

PART NUMBER	W	X	Y	Z
+*CF332	4.42 (112)	5.24 (133)	2.19 (56)	3.08 (78)
+ CF532	6.67 (169)	7.49 (190)	2.19 (56)	3.27 (83)
CF644	7.30 (185)	8.12 (206)	2.19 (56)	4.02 (102)
+ CF832	9.11 (231)	9.93 (252)	2.19 (56)	3.27 (83)
CF844	9.55 (242)	10.37 (263)	2.19 (56)	4.02 (102)
+ CF932	10.04 (255)	10.87 (276)	2.19 (56)	3.27 (83)
CF1144	11.80 (300)	12.62 (321)	2.19 (56)	4.02 (102)
+ CF1432	14.48 (368)	15.30 (389)	2.19 (56)	3.27 (83)
+ CF1732	18.04 (458)	18.87 (479)	2.19 (56)	3.27 (83)
*F763	8.19 (208)	9.01 (229)	2.19 (56)	3.32 (84)
*F963	10.44 (265)	11.26 (286)	2.19 (56)	3.32 (84)

Pluggit!

- Superior corrosion resistance compared to rust-prone carbon steel and other metallic alternatives helps ensure increased enclosure life expectancy.
- Cost effective when compared to either carbon or stainless steel alternatives.
- Considerably better long-term resistance to UV degradation versus UV-susceptible soft rubber plugs that turn brittle from extreme temperature variations and repeated UV exposure.
- Will not create galvanic corrosion associated with dissimilar metals sometimes used in electrical enclosures.
- Maintains all chemical resistance features of current Stahlin products.
- Flame retardant material to UL 94V-0.
- A submersion/hosedown rated component for use in electrical enclosures UL recognized to type 4x and 6P.
- IEC tested to IP66 and IP68.



STAHLIN FIBERGLASS HOLE PLUG ASSEMBLY

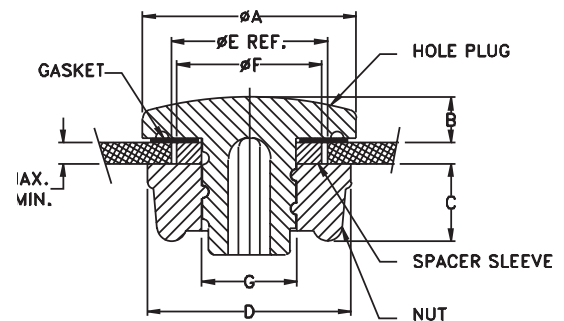
...a new, reliable, cost-effective option for maintaining enclosure integrity.

The importance of Stahlin's Fiberglass Hole Plug

Electrical enclosures that have extra holes in them either from incorrect drilling or intentional drilling of extra holes for later use require recognized component hole plugs to maintain original enclosure integrity by sealing against entry of dust, water and other potentially destructive elements. Stahlin's new Fiberglass Hole Plug provides an ideal combination of high quality protection in corrosive and outdoor environments...cost effectiveness...and proven resistance to UV degradation.

This hole plug assembly is available in 5 basic kits to seal cutouts from 1/2" to 2-9/16" diameters.

KIT NUMBER	CONFIGURATION	ØA	B	C	D ACROSS FLATS	ØE REF. NOM. HOLE DIA. RANGE	ØF	ØG	COMMON INDUSTRY APPLICATIONS
HPSERIES1	HP1	1.00" (25.40)	0.22" (5.59)	0.38" (9.63)	0.88" (22.35)	0.5" - 0.56" (12.70 - 14.29)	N/A	0.44" (11.18)	1/2" DIA. HOLE
	HP2					0.63" - 0.69" (16.00 - 17.46)	0.56" (14.22)		5/8" DIA. HOLE
	HP3					0.75" - 0.81" (19.05 - 20.64)	0.68" (17.27)		3/4" DIA. HOLE
HPSERIES15	HP3.5	1.20" (30.48)	0.22" (5.59)	0.38" (9.63)	1.04" (26.39)	0.88" (22.35)	N/A	0.81" (20.57)	1/2" CONDUIT
HPSERIES2	HP4	1.50" (38.10)	0.22" (5.59)	0.38" (9.63)	1.38" (35.05)	0.88" - 1" (22.35 - 25.4)	N/A	0.85" (21.59)	1/2" CONDUIT
	HP5					1.06" - 1.12" (26.92 - 28.45)	1.03" (26.16)		3/4" CONDUIT
	HP6					1.22" - 1.28" (30.73 - 32.51)	1.19" (30.22)		30mm PB
HPSERIES3	HP7	2.00" (50.80)	0.22" (5.59)	0.38" (9.63)	1.88" (47.75)	1.38" - 1.50" (35.05 - 38.10)	N/A	1.35" (34.29)	1" CONDUIT
	HP8					1.69" - 1.75" (42.67 - 44.45)	1.65" (41.91)		1-1/4" CONDUIT
HPSERIES4	HP9	2.75" (69.85)	0.22" (5.59)	0.38" (9.63)	2.63" (66.67)	2.00" - 2.12" (50.80 - 53.85)	N/A	1.97" (50.04)	1-1/2" CONDUIT
	HP10					2.5" - 2.56" (63.50 - 65.09)	2.44" (61.89)		2" CONDUIT



Terminal Kits

An environmentally sealed enclosure is an ideal housing for terminations and wire junctions. Stahlin offers a pre-fabricated terminal kit for use with all "J" series configurations. Terminal Kits include pre-cut DIN rail and mounted terminal blocks, pre-mounted in the enclosure upon request, or shipped separately as desired. A finished assembly can quickly be installed and wired right out of the carton. This versatile system also allows for variations once the product has been received. Please see notations below.

Refer to the ModRight Modification section for other assistance including pre-drilled conduit openings on the enclosure.

DIN Rail Terminal Block Assemblies are ideal for various applications such as machine tool controls, electrical distribution, instrumentation, and panelboard construction.



DIN Rail shown mounted to frame



DIN Rail shown mounted to back panel

Insulating materials: The moldings are made of Polyamide 6.6. This material has high creep resistance, and high impact strength. It carries a UL 94V-0 flammability rating and is resistant to gas, oil, alcohol, and many other corrosive agents.

Connector System: The connectors are of copper alloy and are nickel plated for corrosion resistance. The screws are rolled steel, zinc plated and chromated. The following benefits are provided by this connector system:

- 1.) The system ensures that regardless of the cross section of the wire it can only be inserted into the connection hole.
- 2.) A serrated pressure plate eliminates any wire damage from the torquing of the screw.
- 3.) The upward pressure on the screw from the pressure plate reduces the risk of the screw loosening from vibration.

Assembly of DIN Rail Terminal Blocks: By pushing blocks onto the rails or by snapping blocks onto the rails. Terminal blocks can be easily changed by separating the neighboring blocks on both sides then using a screwdriver to apply outward pressure on the release foot.

Ground Terminal Block

Ground terminal blocks come with a green -yellow insulating body for easy identification. The ground block can be mounted on the DIN rail in any position between other blocks. The DIN rail then serves as a grounding rail. There are two methods to secure the ground block to the rail:

- 1.) The middle screw is tightened to close the catch to the rail.
- 2.) By securing a wire to either side also applies pressure to the rail.

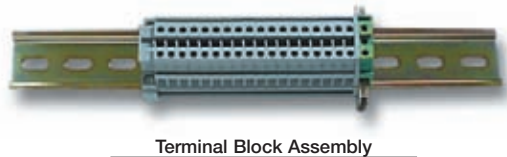
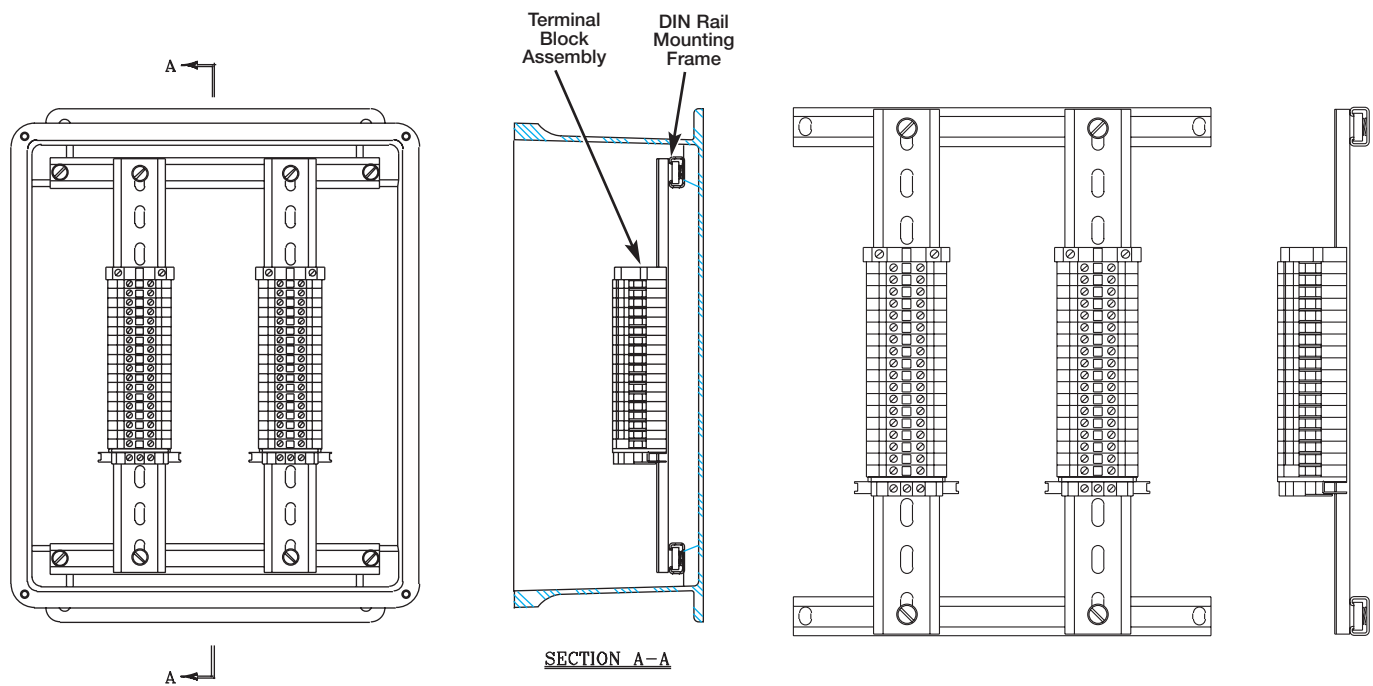
Technical Specifications

DIN Rail	Symmetrical 35mm x 7.5mm Slotted. Steel zinc plated, yellow chromated.	
Terminal Block	Thickness: 6mm Wire Range: 22-10 AWG Color: Gray Material: Polyamide 6.6 Approvals: UL File E62806 600V, 30A CSA File LR700930 600V, 40A	Overall Height, Width, Thickness H = 38mm (1.496") W = 42mm (1.653") T = 6mm (.236")
Insulating End	For covering and insulating the last Section terminal in an assembly.	
End Bracket	Used on the ends of the assembly to hold terminal blocks in place.	
Ground Terminal Block	Thickness: 7mm Wire Range: 22-10 AWG Color: Green/Yellow Material: Polyamide 6.6 Approvals: UL File E62806 CSA File LR700930	Overall Height, Width, Thickness H = 38mm (1.496") W = 56mm (2.204") T = 7mm (.275")

Mounting Frame

Channel	Material: 19 ga. Low carbon steel. Finish: Electrogalvanized
Channel nut with spring	Material: Mild steel Finish: Electrogalvanized
Screws and Washer	300 Series Stainless Steel.

Terminal Kits



Terminal Block Assemblies can be mounted in an enclosure either using our standard mounting frame or directly to a Stahlin Back Panel.

Terminal Kits - Use With Any J Series Enclosures

STAHLIN P/N	NO. OF TERMINALS/RAIL	NO. OF GROUND TERMINALS	END CAP	INSULATED END CAP	FITS ENCLOSURE SIZES
TK806	9	1	1	1	J806 / CL907
TK1008	12	1	1	1	J1008 / CL1109
TK1210	18	1	1	1	J1210 / CL1311
TK1412	21	1	1	1	J1412 / CL1513
TK1614	24	1	1	1	J1614

Includes DIN rail, terminal block, end pieces and ground terminal.

Stahlin DIN Rail

PART NUMBER	A	B
DIN35-180	7.05	6.24
DIN35-230	9.03	8.21
DIN35-280	11.00	10.18
DIN35-330	12.97	12.15
DIN35-380	14.94	14.12

Stahlin Label Package

PART NO.
TK4000

Labels unprinted
Pkg=10 strips of 10 labels

DIN Rail/Terminal Block Assy. Mtg. Frame

PART NO.	FITS ENCLOSURE SIZES
FR806	J806 / CL907
FR1008	J1008 / CL1109
FR1210	J1210 / CL1311
FR1412	J1412 / CL1513
FR1614	J1614

Each kit includes (2) mounting rails,
(4) channel nuts with springs,
and (4) #10-32 screws w/washers.

