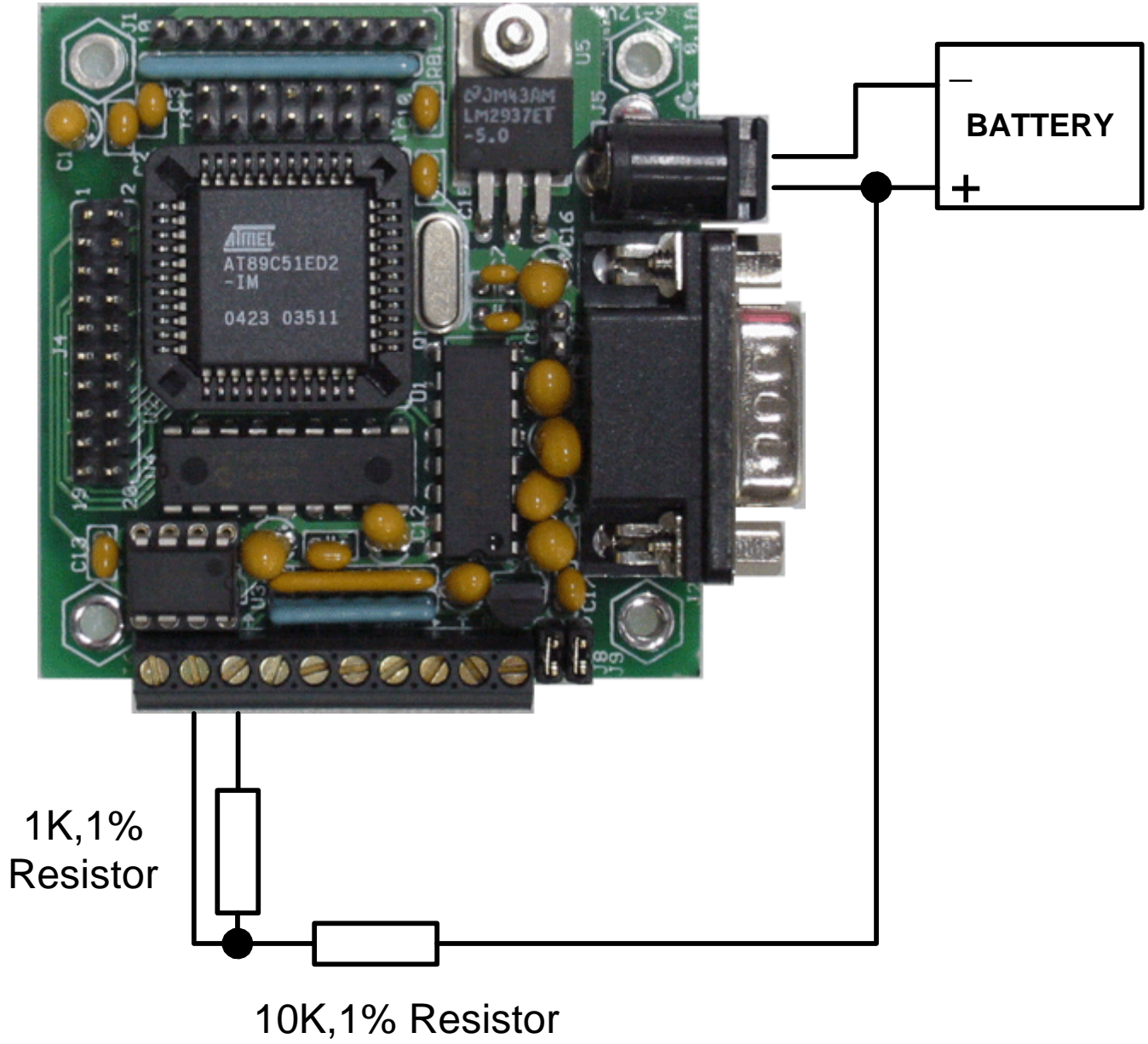


BATTERY VOLTAGE MONITORING WITH MINI-MAX/51C2



This wiring diagram allows measuring the battery voltage through the analog Input AIN1