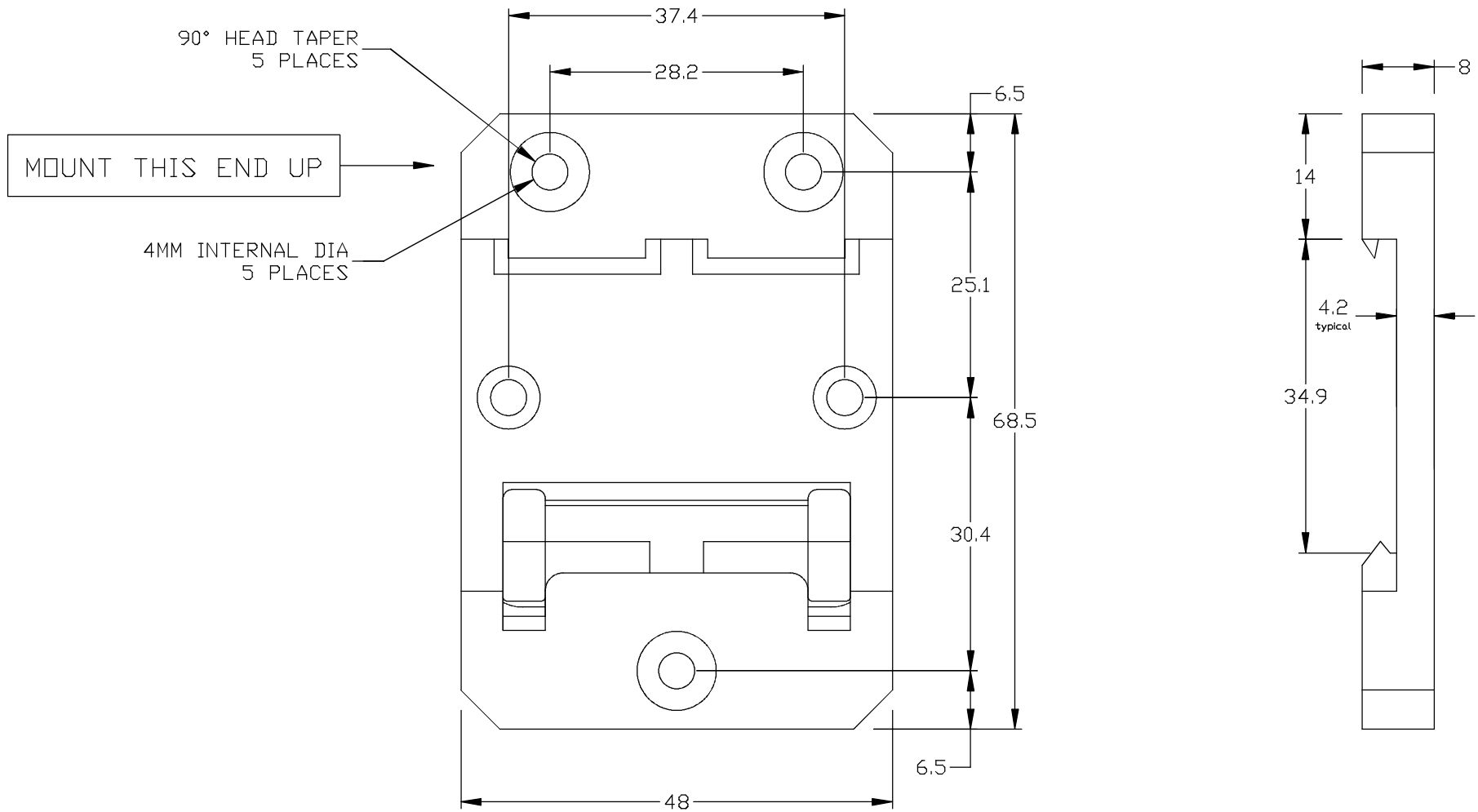


# DINM15V2-RC DIN RAIL MOUNT CLIP



CLIP MATERIAL: FIBERGLASS REINFORCED NYLON 66 (PA66+GF30%)

DESCRIPTION:  
DINM15V2-RC: DIN RAIL MOUNT CLIP



Winford Engineering  
4169 Four Mile Road  
Bay City, MI 48706

10/9/13 Initial release

Date

DIMENSIONS ARE IN MILLIMETERS

www.winfordeng.com

989-671-9721