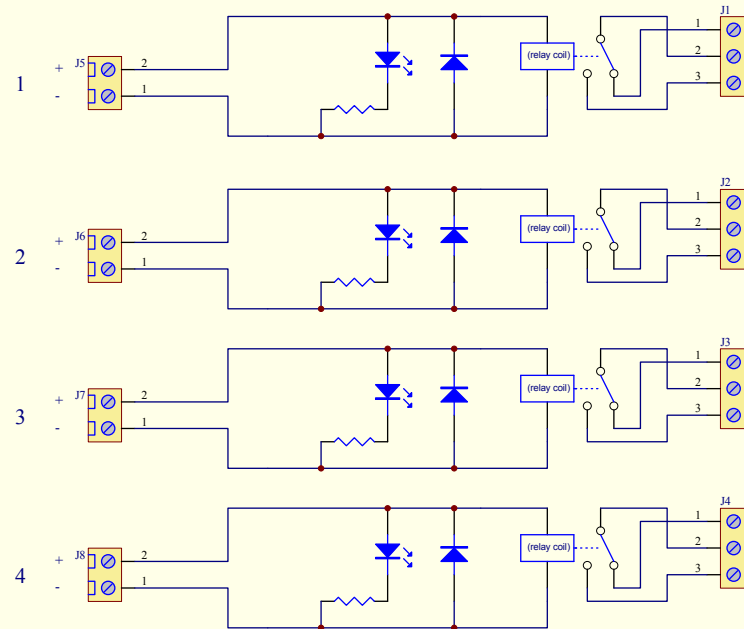


# RLP104 Schematic

(This schematic accurately represents the circuit, but some individual components are combined in a single package on the product PCB)



**RLP104**  
**4-RELAY BOARD**  
**WINFORD ENGINEERING**  
[www.winford.com](http://www.winford.com)