

2JCP1840101Ga

GNSS Ceramic Thru-Hole Mount

Key Features

GPS/GLONASS/QZSS/Galileo

- 1575-1606 MHz

Thru-Hole Mount

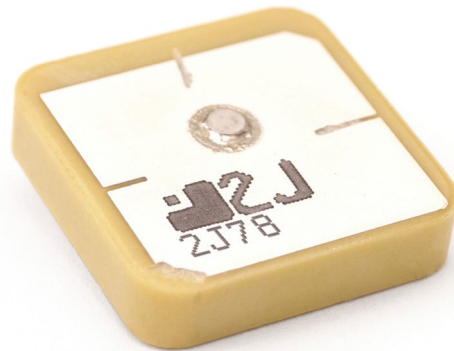
High Gain

Ground Plane Dependent

Dimensions 18 x 18 x 4 mm

Please check our Development Kit

2JDK0101Ga-A28



1. Antenna and electrical specifications

Parameters	GNSS Ceramic Thru-Hole Mount Antenna	
	GPS/QZSS/Galileo	GLONASS
Standards	GPS/QZSS/Galileo	GLONASS
Bands (MHz)	1575	1602
Frequency (MHz)	1575.42	1598-1606
Return Loss (dB)	~-26.0	~-18.8
VSWR	~1.1:1	~1.3:1
Efficiency (%)	~73.9	~73.7
Peak Gain (dBi)	~4.1	~4.2
Average Gain (dB)	~-1.3	~-1.3
Impedance (Ohms)	50	
Radiation Pattern	Hemispherical	

Antenna Measurement Conditions:

Free Space

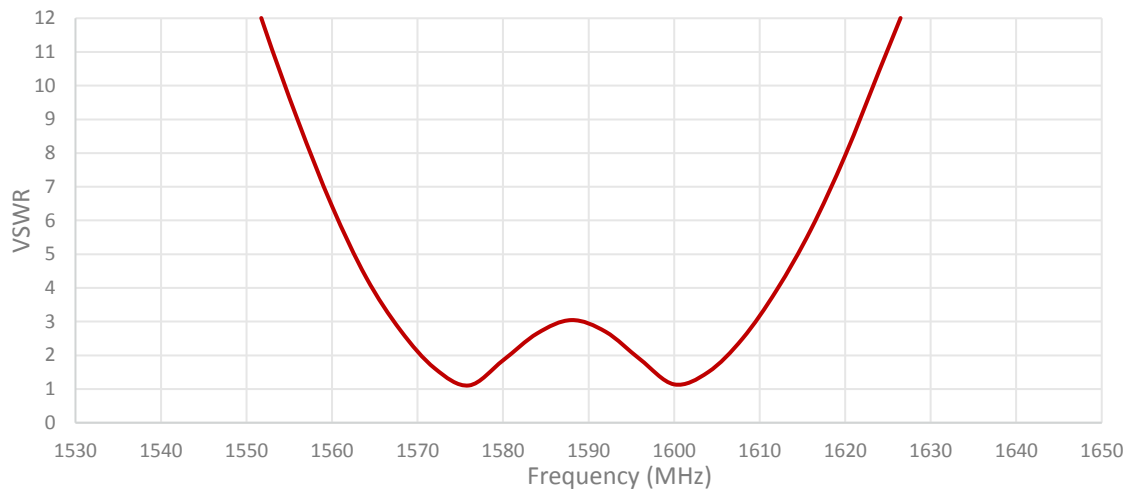
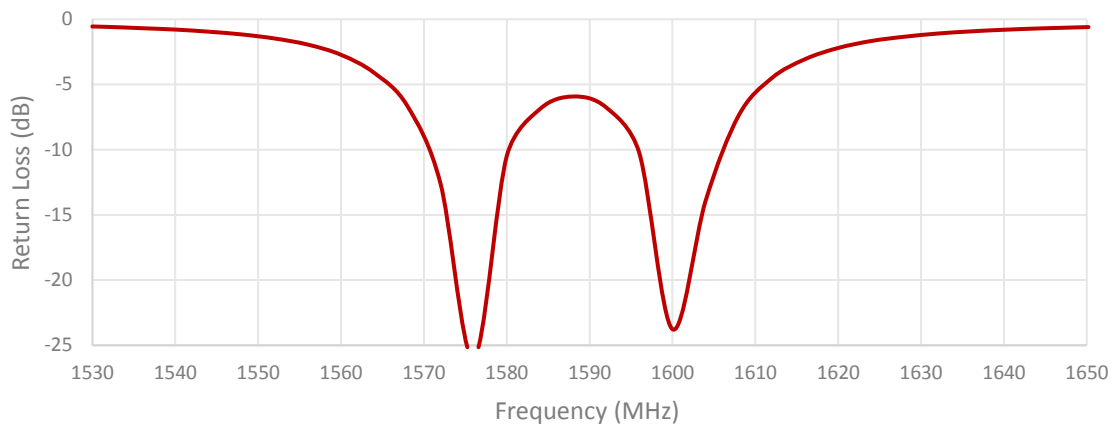
Mounted on Ground Plane of 70 x 70 mm

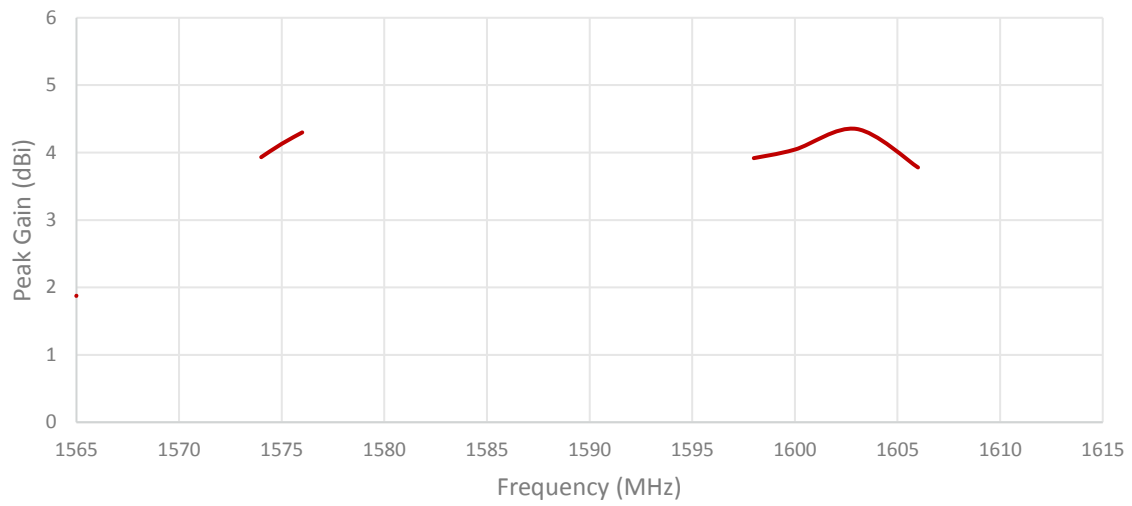
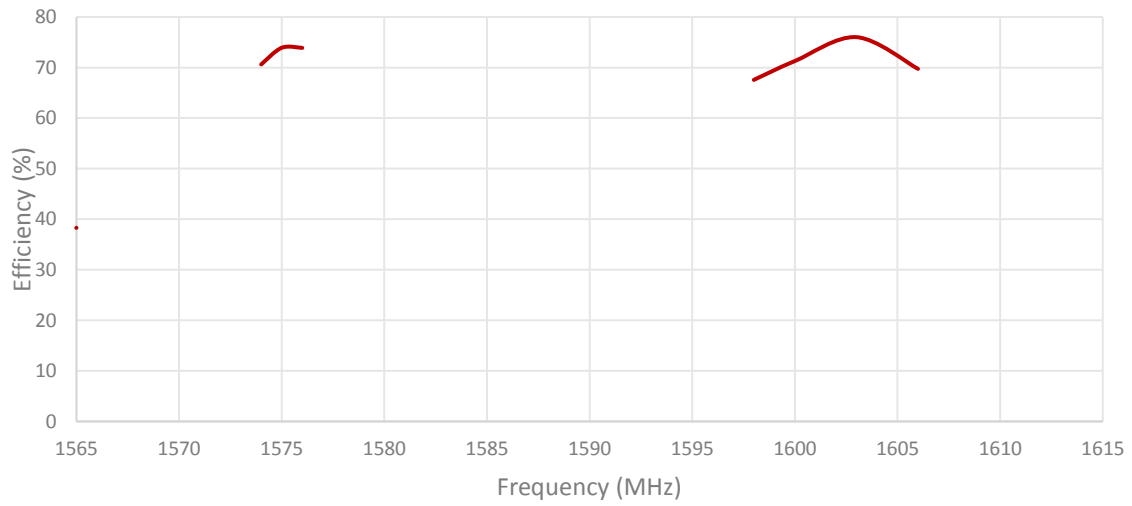
Measured in Certified CTIA 3D Anechoic Chamber

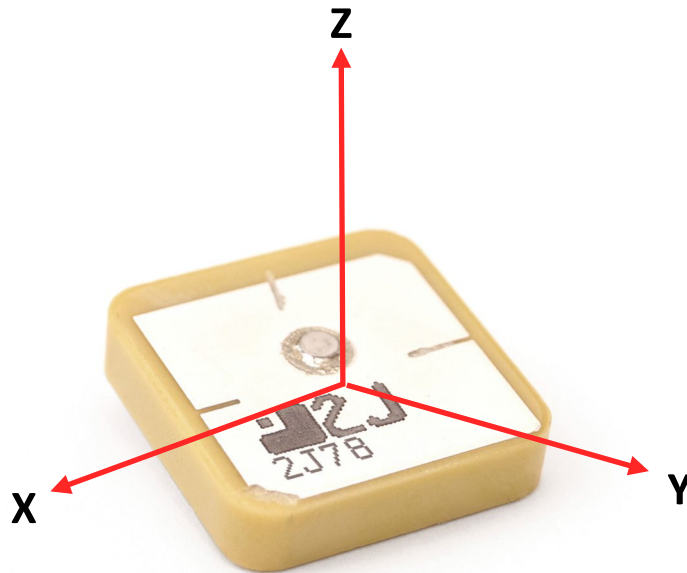
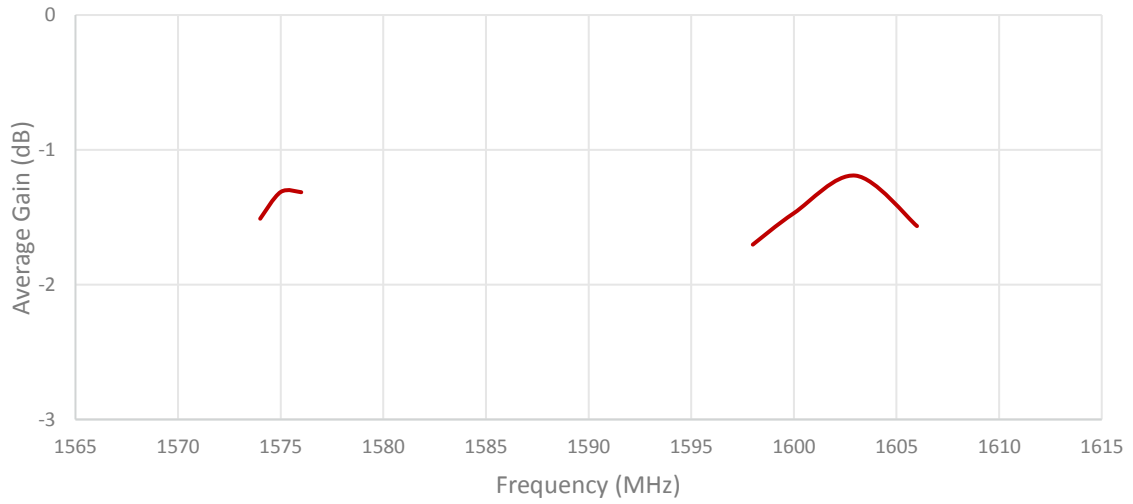
2. Mechanical and environmental specifications

Specifications	2JCP1840101Ga
Mounting Type	Thru-Hole Mount
Adhesive	Nitto 5000NS
Dimensions (mm)	18 x 18 x 4
Operating Temperature (C)	-40 to +85
Storage Temperature (C)	-40 to +85
Substance Compliance	RoHS

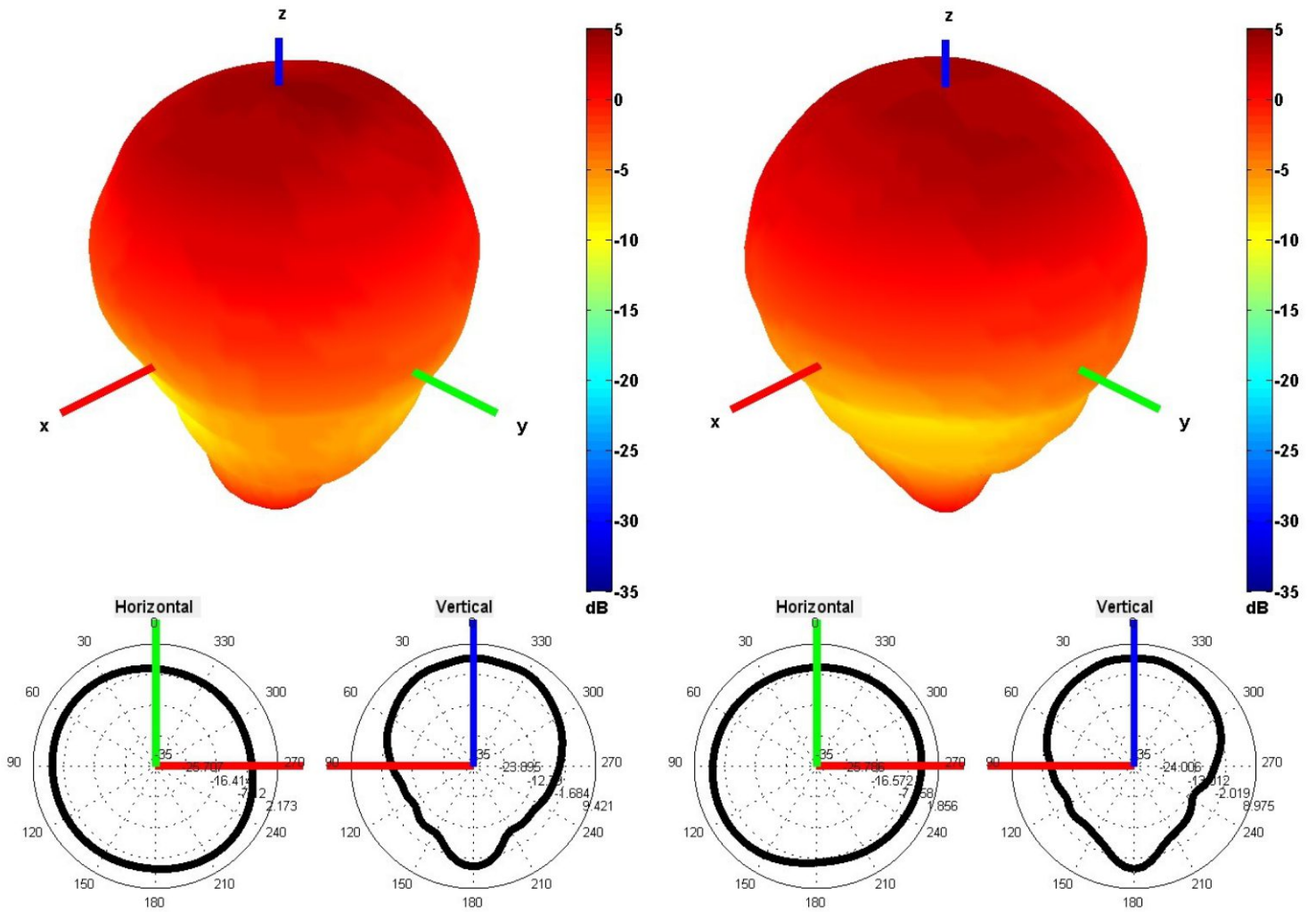
3. Antenna parameters





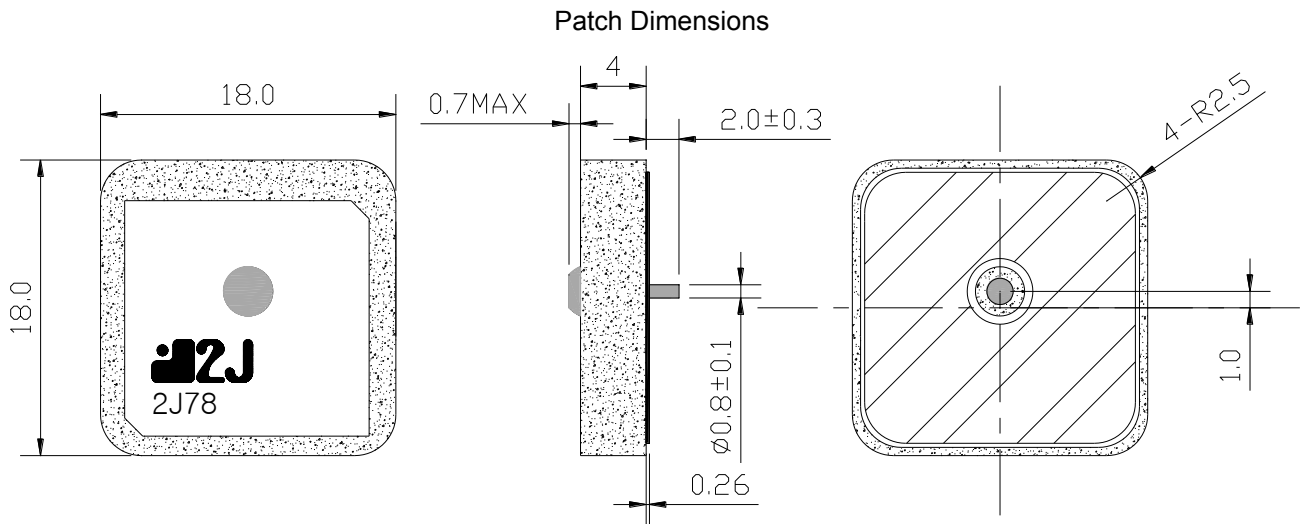


Radiation pattern reference

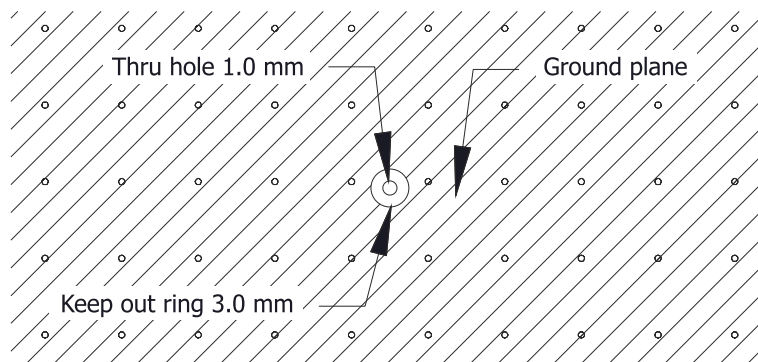


1575 AND 1602 MHz RADIATION PATTERN

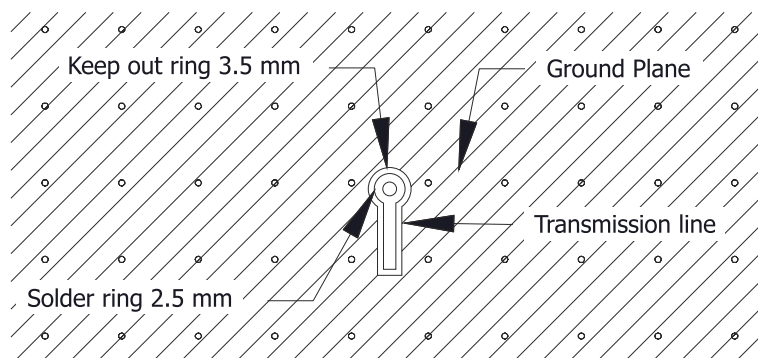
4. Antenna drawings



Layout for top layer



Layout for bottom layer



5. Antenna Images

